

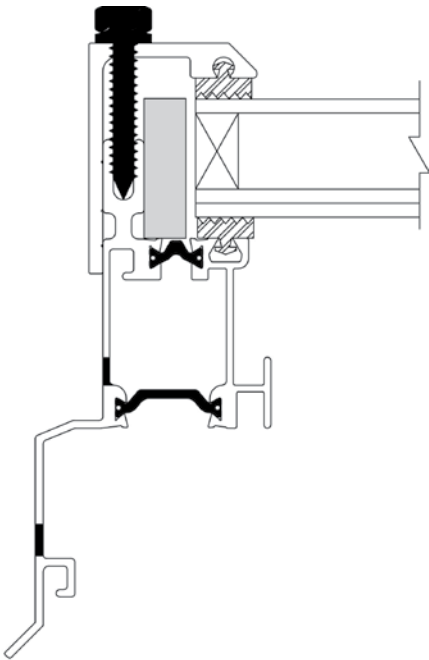


AUBURN[®] SELF-FLASHING SINGLE SLOPE SKYLIGHTS

EASY TO INSTALL HIGH PERFORMANCE GLASS SKYLIGHTS

Auburn[®] glass single slope skylights have always been a dependable, low-maintenance daylighting solution, but Major Industries has enhanced these versatile skylights with thermal strut technology for enhanced thermal performance and improved condensation resistance. Now you can get the best of both worlds - energy-saving daylighting and a glass skylight with performance designed to handle any environment.

Auburn[®] self-flashing single slope skylights are available with a variety of glass configurations and numerous finish color options from anodized to Kynar[®]. Select smaller sized, pre-assembled options with limited options and configurations are available for online purchase at shopmajorskylights.com.



FEATURES & BENEFITS

- **THERMAL STRUT TECHNOLOGY** provides improved thermal performance and condensation resistance **DESIGNED** for smaller openings up to 25 square feet
- **TESTED** to ASTM E283/330/331 standards
- **.27 - .29** center of glass U-factor with SHGC of .39 (varies with glazing selection - check with Major for additional custom options)
- **PRE-ASSEMBLED** options available for quicker lead times and simple installation
- **ONLINE ORDERING** available for select smaller sizes at www.shopmajorskylights.com

AUBURN®

SELF-FLASHING SINGLE SLOPE SKYLIGHTS PERFORMANCE DATA & TESTING



THERMAL PERFORMANCE	
<small>**Values below based on typical low-e 1-inch (25mm) glass (1/2-inch airspace with 1/4-inch lites) - actual values may vary depending on glass specified</small>	
Clear + Clear	
LIGHT TRANSMISSION ¹	
Visible (%)	67
SOLAR HEAT GAIN COEFFICIENT ²	
	0.36
CENTER OF GLASS U-FACTOR ³	
Winter Nighttime / Summer Daytime	0.29 / 0.27
SYSTEM U-FACTOR ⁴	
With Metal Spacer / Warm Edge Spacer	0.41 / 0.35
UV Transmittance	
	18

¹ Light transmission data calculated per industry standards and provided by glass manufacturer for reference only. Please contact Major Industries, Inc. for additional glass options and custom requests.

² SHGC values calculated per industry standards and provided by glass manufacturer. Please contact Major Industries, Inc. for additional glass options and custom requests.

³ Center of glass data for glazing comparisons only. Please contact Major Industries, Inc. for additional glass options and custom requests.

⁴ System U-factor values calculated using industry methods and standards.

Performance Testing

1. Air Infiltration:

- ASTM E 283: < 0.01 cfm/sq ft at a positive pressure of +6.24 psf (50 mph).
- AAMA/WDMA 1600/I.S. 7, SKG-HC40: Not to exceed 0.10 cfm/sq ft at a static pressure of 6.24 psf (50 mph).

2. Static Water Penetration:

- ASTM E 331: No uncontrolled water leakage at a static pressure of 15 psf and a minimum water flow rate of 5 gal/hr/sq ft for 15 minutes.
- AAMA/WDMA 1600/I.S. 7, SKG-HC40: No uncontrolled water leakage at a static pressure of 6 psf and a minimum water flow rate of 5 gal/hr/sq ft for 15 minutes.

3. Structural Load Test:

- ASTM E 330: Maximum allowable deflection of any member shall not exceed $L/175$.
- AAMA/WDMA 1600/I.S. 7, SKG-HC40: Permanent set of any frame member shall not exceed 0.4 percent of its unsupported span at 60 psf positive and negative test pressures.

Materials & Finishes

- Framing Materials: Extruded Aluminum: ASTM B 221, Alloy 6063-T6 or equivalent. Material alloy, temper and thickness as required for loading, deflection, cross-sectional configuration and finish. Thermal break: polyamide structural thermal strut.
- Glazing Strips: Extruded EPDM rubber. Durometer: 70 plus or minus, Color: Black.
- Flashing: Formed Aluminum Components and Flashing: Alloy 5005-H34 or equivalent; Minimum Thickness: 0.040 inch.
- Setting Blocks: EPDM; Durometer 80 plus or minus; Color: Black.
- Condensation Control System: Skylight system provided with an integral gutter system on all framing members, including rafters.
- Glazing Caps: Extruded aluminum, Alloy 6063-T6.
- Fasteners: For Framing Connection and Exterior Cap Retainers: As required by connection. Stainless Steel.
- Sealants: Non-structural Flush Glazed Joints and Weather Seal Joints: Silicone sealants. Applied in accordance with sealant manufacturer's instructions.
- Finishes:
 - Anodized Coating: Architectural Class I clear /pigmented anodized, Type AA-M10C22A41 / Type AA-M10C22A42/A44.
 - Pigmented Organic Coating: AAMA 2604.
 - High-Performance Pigmented Organic Coating: AAMA 2605.

NOTE: All information included in this summary is based on published test reports and supplier data. Products and testing information can change without notice - ratings may no longer be valid. Please consult Major Industries for current data and information. ©2020



SKYLIGHTS, CANOPIES & TRANSLUCENT WALL SYSTEMS

MAJORSKYLIGHTS.COM

SALES@MAJORSKYLIGHTS.COM / 888-759-2678