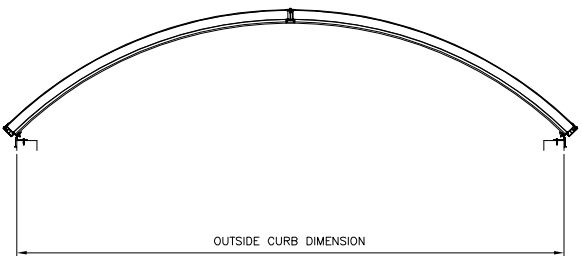
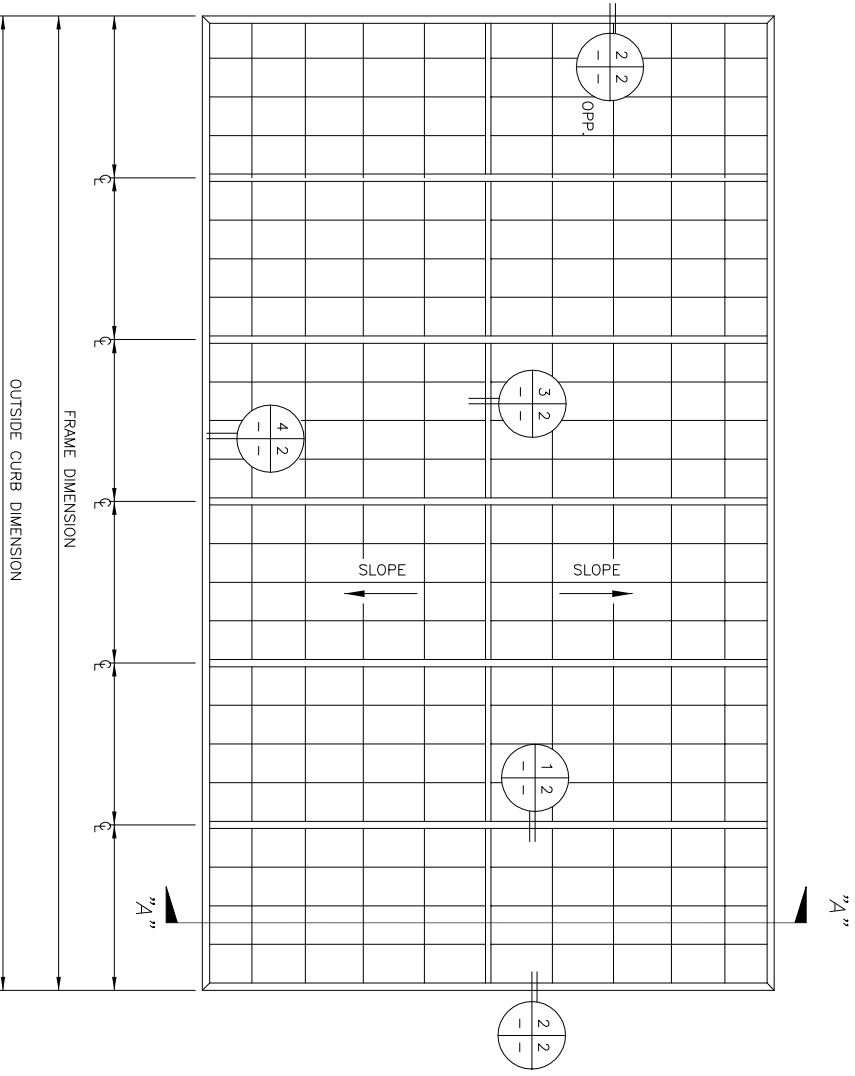




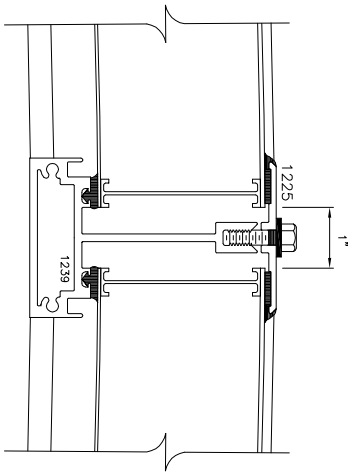
PLAN VIEW
NOT TO SCALE



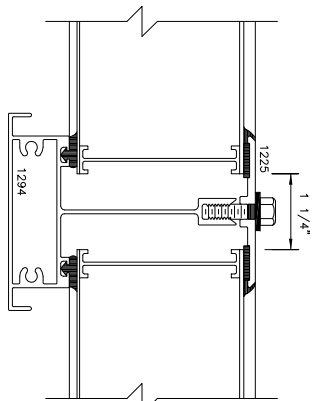
A SECTION VIEW
NOT TO SCALE

MAJOR INDUSTRIES INC.
7120 STEWART AVENUE
WAUSAU, WI 54401
P.O. BOX 306
WAUSAU, WI 54402-0306
PHONE (715) 842-4816
FAX (715) 848-3336

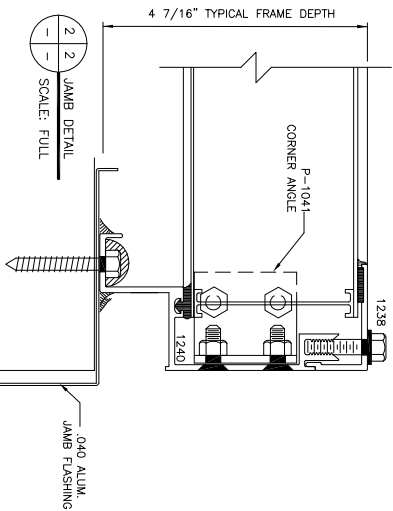
GUARDIAN 275®
TRANSCURVE® SKYLIGHT



3 2 PURLIN DETAIL
SCALE: FULL



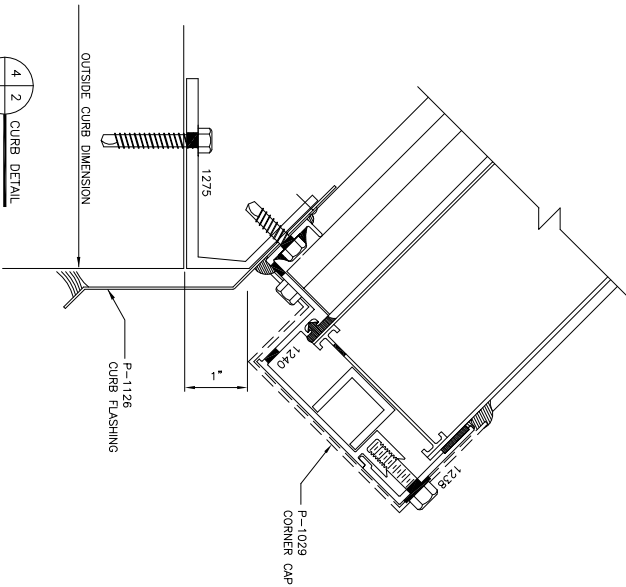
1 2 RAFTER DETAIL
SCALE: FULL



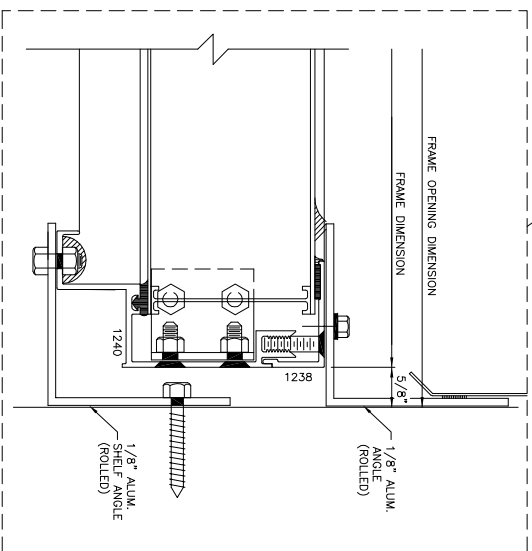
2 2 JAMB DETAIL
SCALE: FULL

SHEET 2 OF 2

ALTERNATE DETAIL:
W/ VERTICAL WALLS @ ENDS
(FULL SCALE)



4 2 CURB DETAIL
SCALE: FULL



MAJOR INDUSTRIES INC.

7120 STEWART AVENUE
P.O. BOX 306
WAUSAU, WI 54401

PHONE (715) 842-4616
FAX (715) 848-3336

GUARDIAN 275®

TRANSCURVE® SKYLIGHT