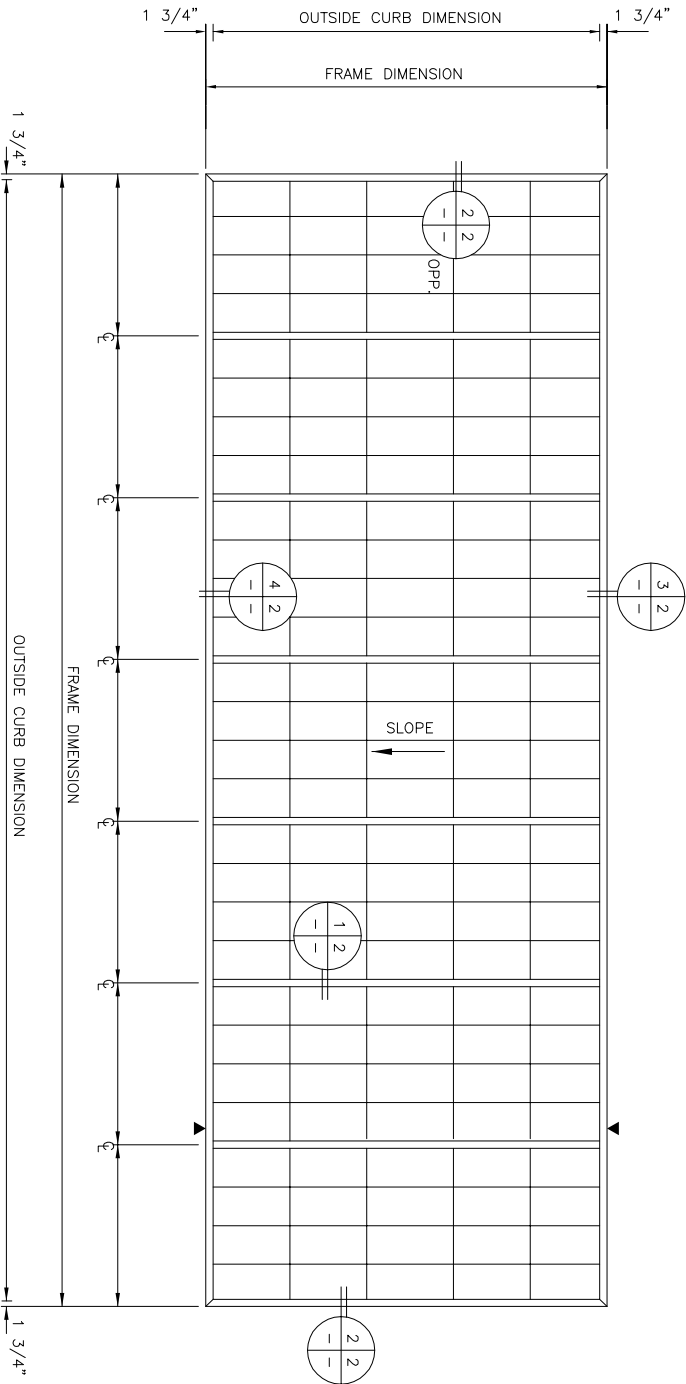




PLAN VIEW  
NOT TO SCALE

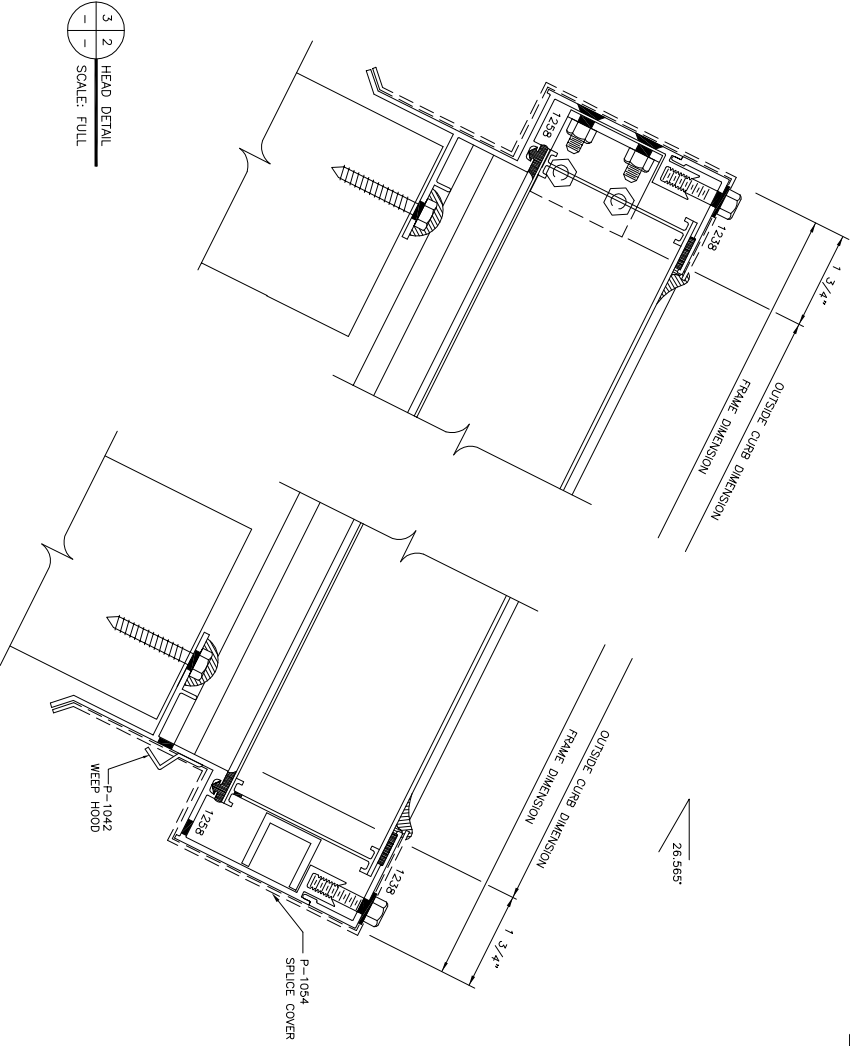
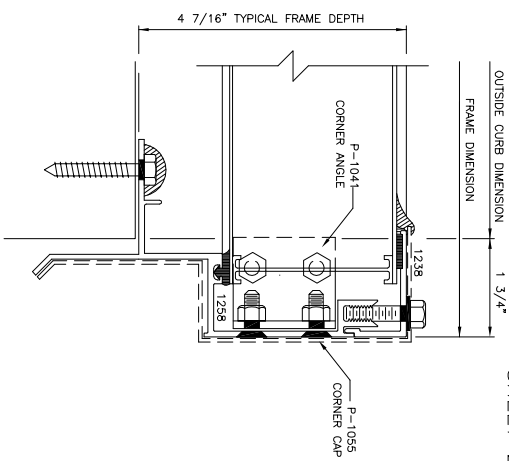
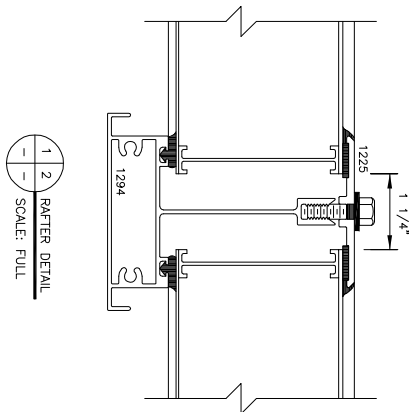


INDICATES 1/4" EXPANSION JOINT (TYP) (LENGTHS > 24'-0")

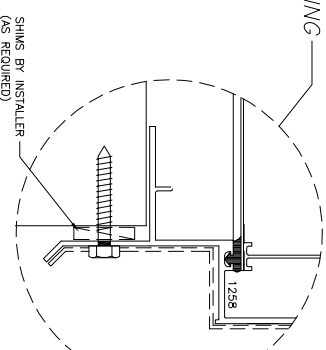
**MAJOR INDUSTRIES INC.**  
 7120 STEWART AVENUE  
 WAUSAU, WI 54401  
 P.O. BOX 306  
 WAUSAU, WI 54402-0306

PHONE (715) 842-4816  
 FAX (715) 848-3336

**GUARDIAN 275**®  
**SINGLE SLOPE SKYLIGHT**



ALTERNATE ANCHORING LOCATION



3 2 HEAD DETAIL  
SCALE: FULL

4 2 CURB DETAIL  
SCALE: FULL

**MAJOR INDUSTRIES INC.**  
 7120 STEWART AVENUE  
 WAUSAU, WI 54401  
 P.O. BOX 306  
 WAUSAU, WI 54402-0306

PHONE (715) 842-4616  
 FAX (715) 848-3336

**GUARDIAN 275**®  
**SINGLE SLOPE SKYLIGHT**