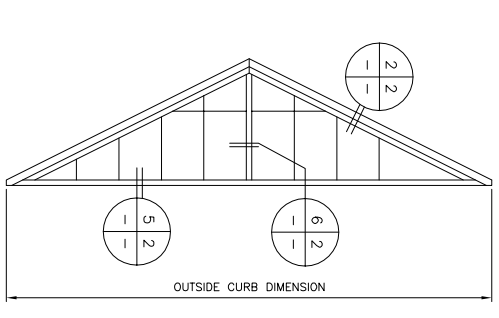
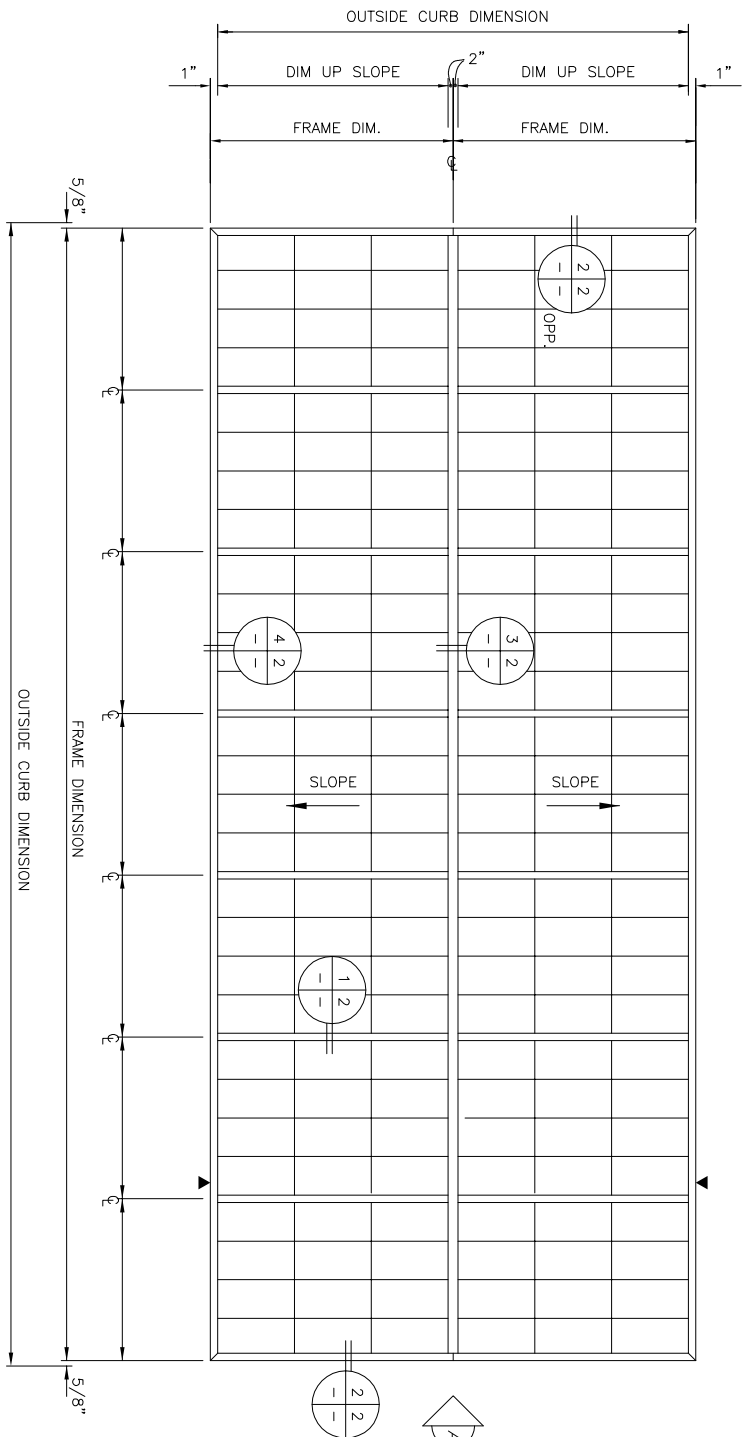




PLAN VIEW
NOT TO SCALE



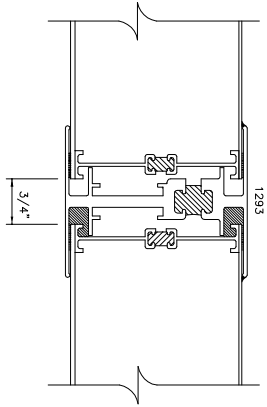
A ENDWALL VIEW

THERMALLY BROKEN PERIMETER FRAMING

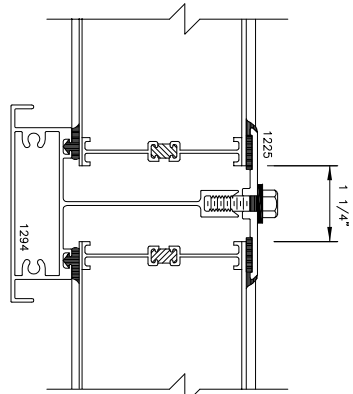
INDICATES 1/4" EXPANSION JOINT (TYP) (LENGTHS > 24'-0")

MAJOR INDUSTRIES INC.
7120 STEWART AVENUE
P.O. BOX 306
WAUSAU, WI 54401
PHONE (715) 842-4816
FAX (715) 848-3336

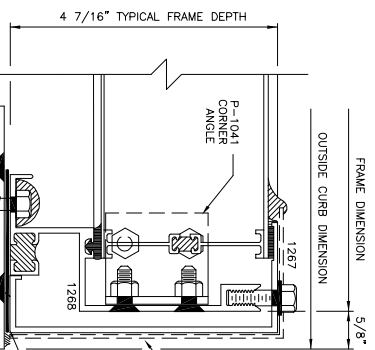
GUARDIAN 275®
RIDGE SKYLIGHT



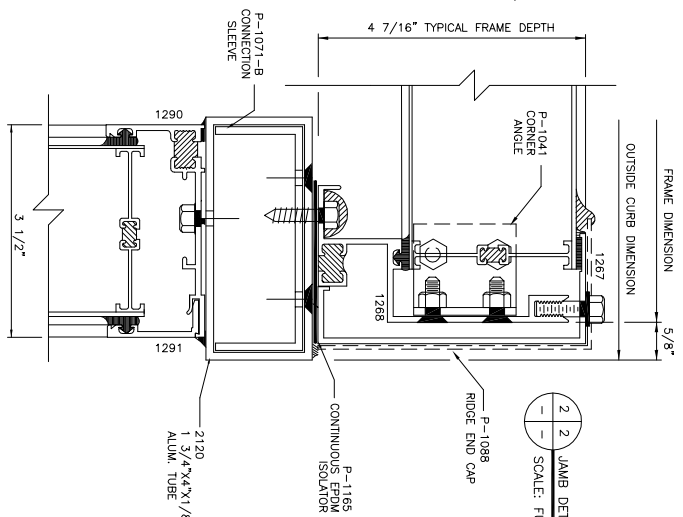
6 2 MULLION DETAIL
SCALE: FULL



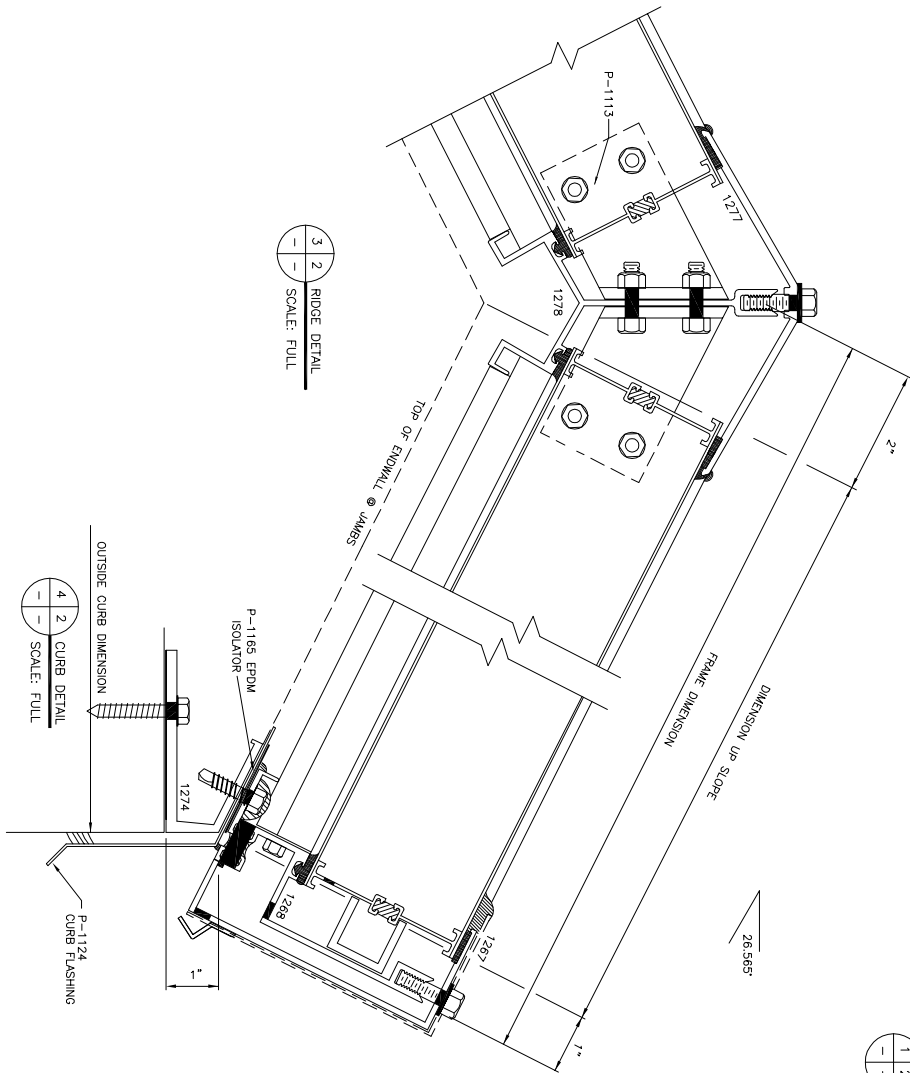
1 2 RAFTER DETAIL
SCALE: FULL



2 2 JAMB DETAIL
SCALE: FULL

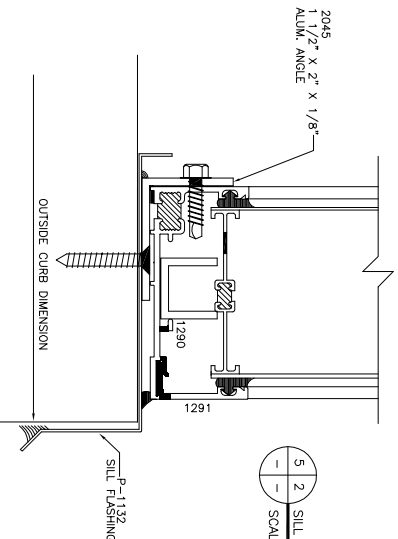


5 2 SILL DETAIL
SCALE: FULL



3 2 RIDGE DETAIL
SCALE: FULL

4 2 CURB DETAIL
SCALE: FULL



3 2 RIDGE DETAIL
SCALE: FULL

3 2 RIDGE DETAIL
SCALE: FULL



MAJOR INDUSTRIES INC.

7120 STEWART AVENUE
WAUSAU, WI 54401
P.O. BOX 306
WAUSAU, WI 54402-0306

PHONE (715) 842-4616
FAX (715) 848-3336

GUARDIAN 275®
RIDGE SKYLIGHT