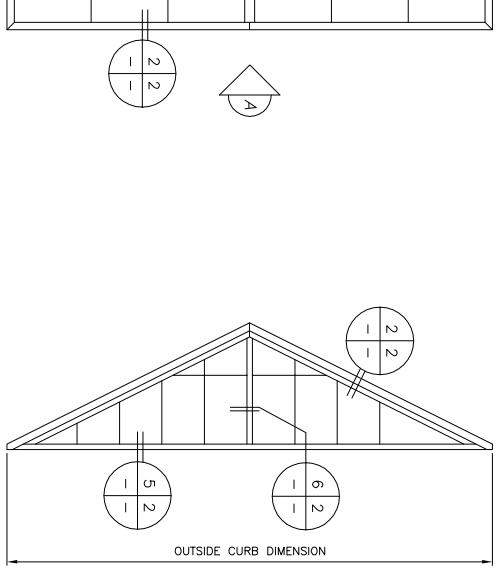
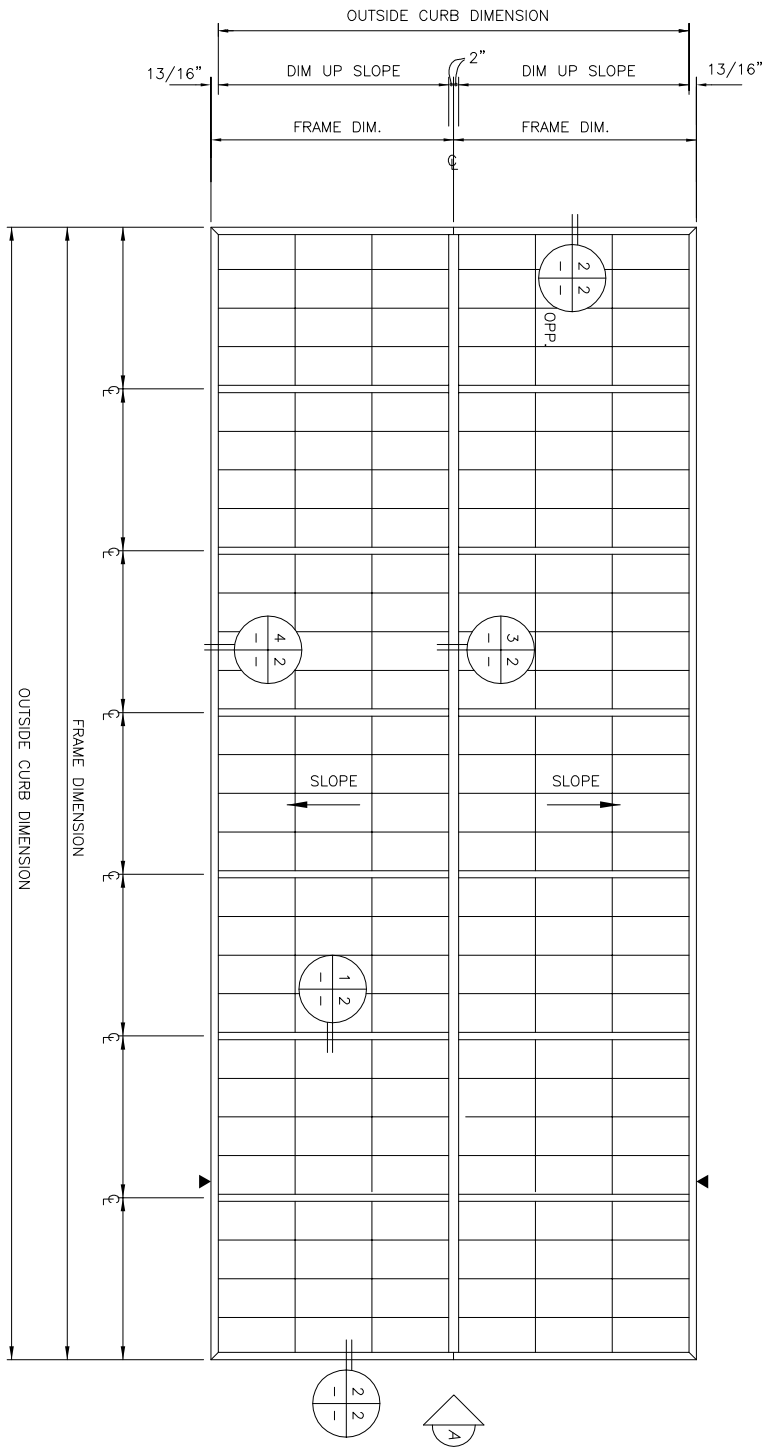




PLAN VIEW
NOT TO SCALE

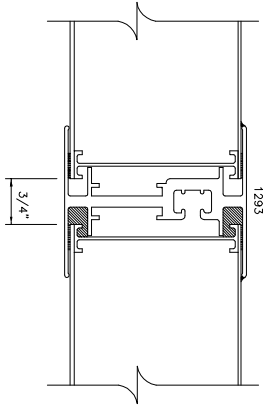


A ENDWALL VIEW

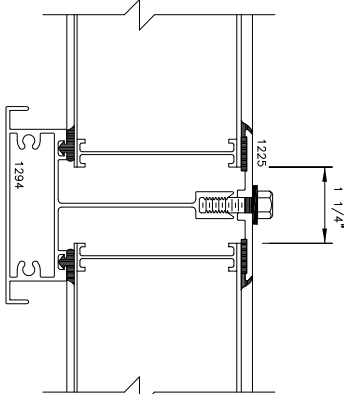
INDICATES 1/4" EXPANSION JOINT (TYP) (LENGTHS > 24'-0")

MAJOR INDUSTRIES INC.
7120 STEWART AVENUE
WAUSAU, WI 54401
P.O. BOX 306
WAUSAU, WI 54402-0306
PHONE (715) 842-4816
FAX (715) 848-3336

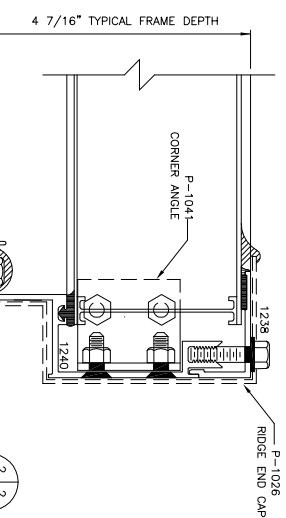
GUARDIAN 275®
RIDGE SKYLIGHT



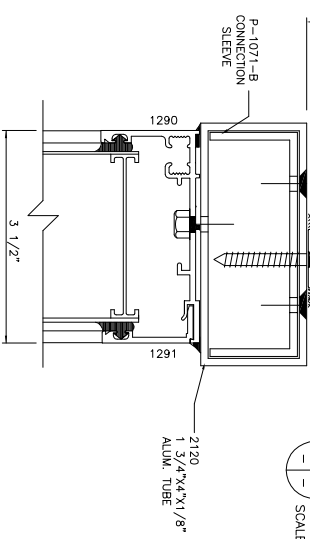
6 2 MILLION DETAIL
SCALE: FULL



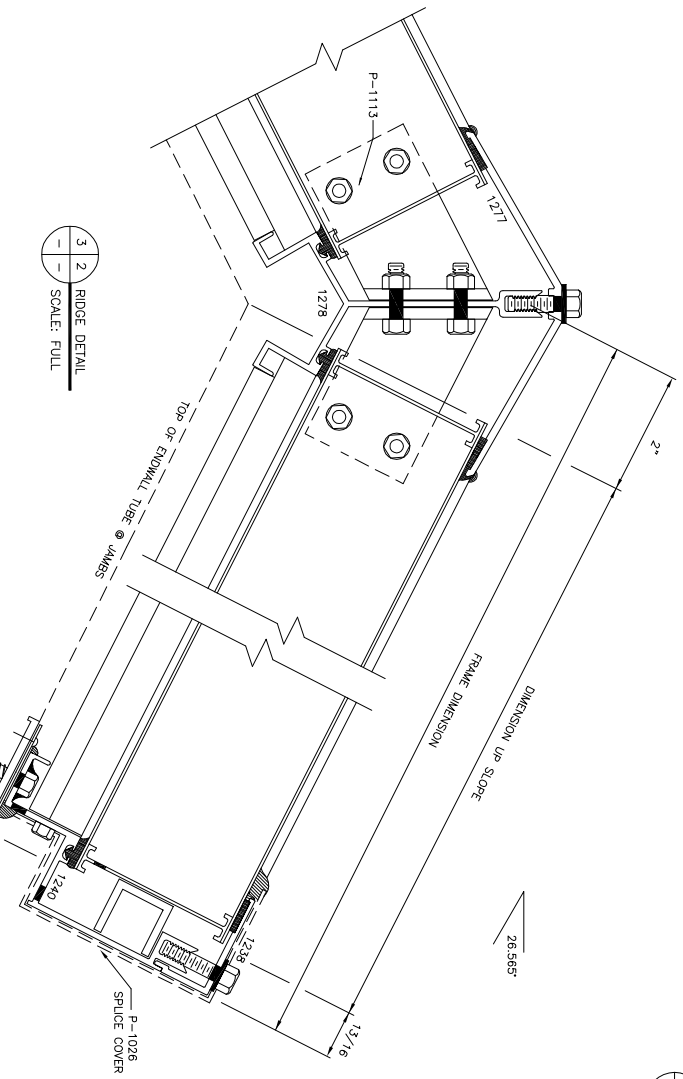
1 2 RAFTER DETAIL
SCALE: FULL



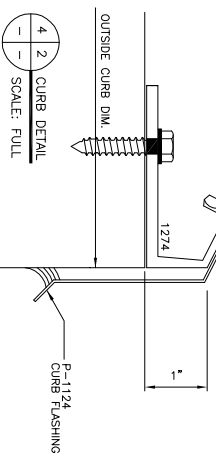
2 2 JAMB DETAIL
SCALE: FULL



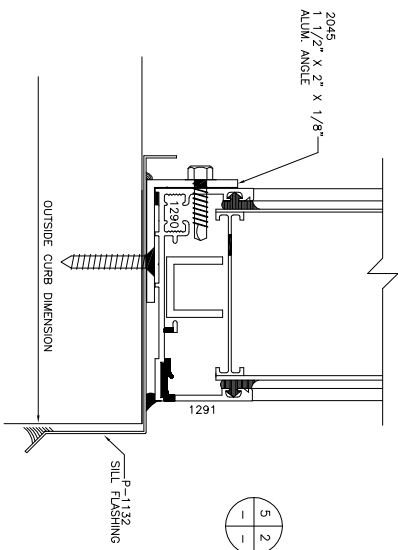
2 2 SILL DETAIL
SCALE: FULL



3 2 RIDGE DETAIL
SCALE: FULL



4 2 CURB DETAIL
SCALE: FULL



5 2 SILL DETAIL
SCALE: FULL

MAJOR INDUSTRIES INC.
7120 STEWART AVENUE
WAUSAU, WI 54401
P.O. BOX 306
WAUSAU, WI 54402-0306

PHONE (715) 842-4616
FAX (715) 848-3336

MAJOR INDUSTRIES
GUARDIAN 275®
RIDGE SKYLIGHT