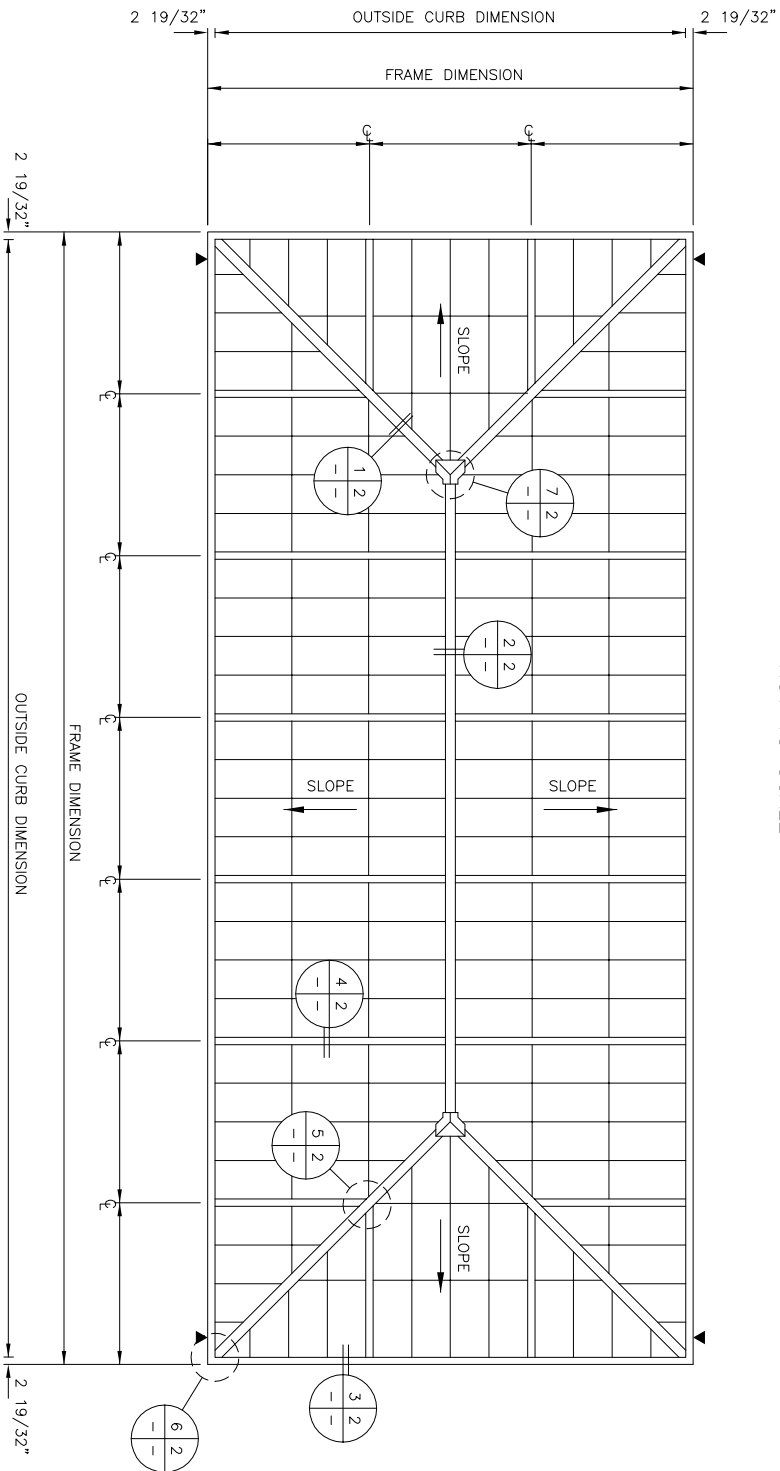




PLAN VIEW
NOT TO SCALE



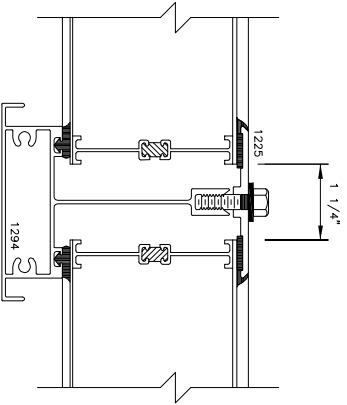
THERMALLY BROKEN PERIMETER FRAMING

INDICATES 1/4" EXPANSION JOINT (TYP)

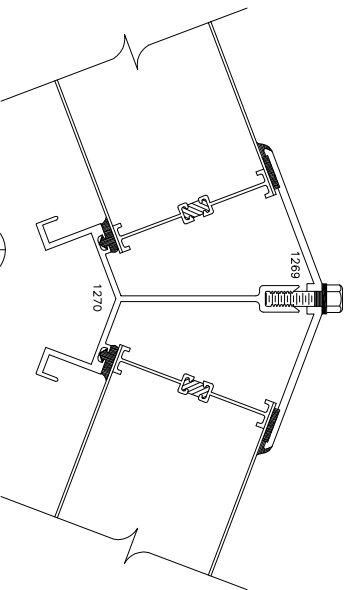
MAJOR INDUSTRIES INC.
 7120 STEWART AVENUE
 WAUSAU, WI 54401
 P.O. BOX 306
 WAUSAU, WI 54402-0306

PHONE (715) 842-4816
 FAX (715) 848-3336

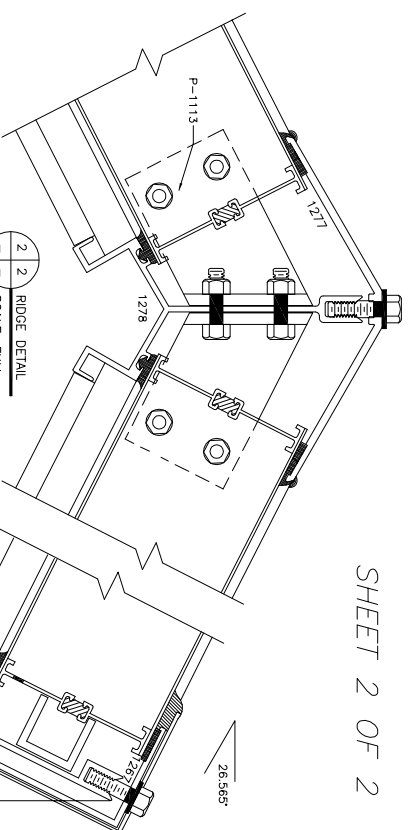
GUARDIAN 275®
HIP RIDGE SKYLIGHT



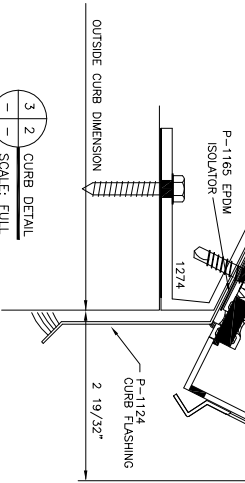
4 2 RAFTER DETAIL
SCALE: FULL



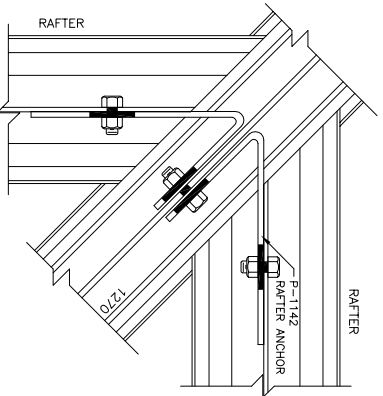
1 2 HIP DETAIL
SCALE: FULL



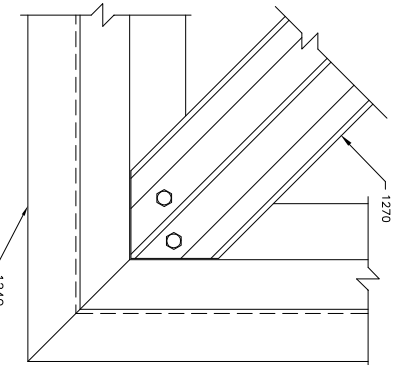
2 2 RIDGE DETAIL
SCALE: FULL



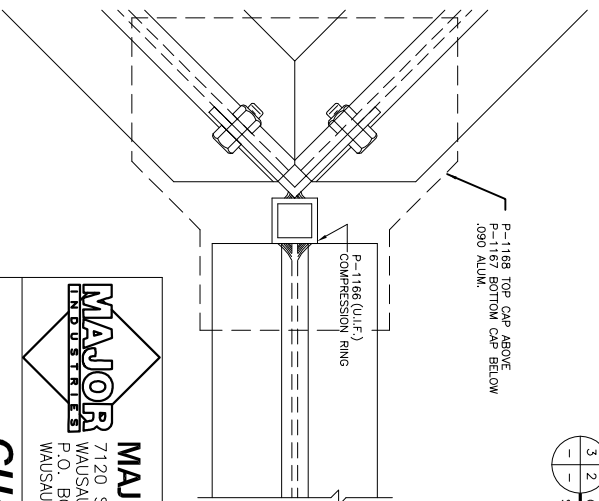
3 2 CURB DETAIL
SCALE: FULL



5 2 JACK RAFTER CONNECTION
SCALE: 3/4" = 1"



6 2 HIP CONNECTION DETAIL
SCALE: 3/4" = 1"



7 2 SECTION @ COMPRESSION RING
SCALE: FULL

MAJOR INDUSTRIES INC.

7120 STEWART AVENUE
WAUSAU, WI 54401
P.O. BOX 306
WAUSAU, WI 54402-0306

PHONE (715) 842-4816
FAX (715) 848-3336

GUARDIAN 275 ®

HIP RIDGE SKYLIGHT