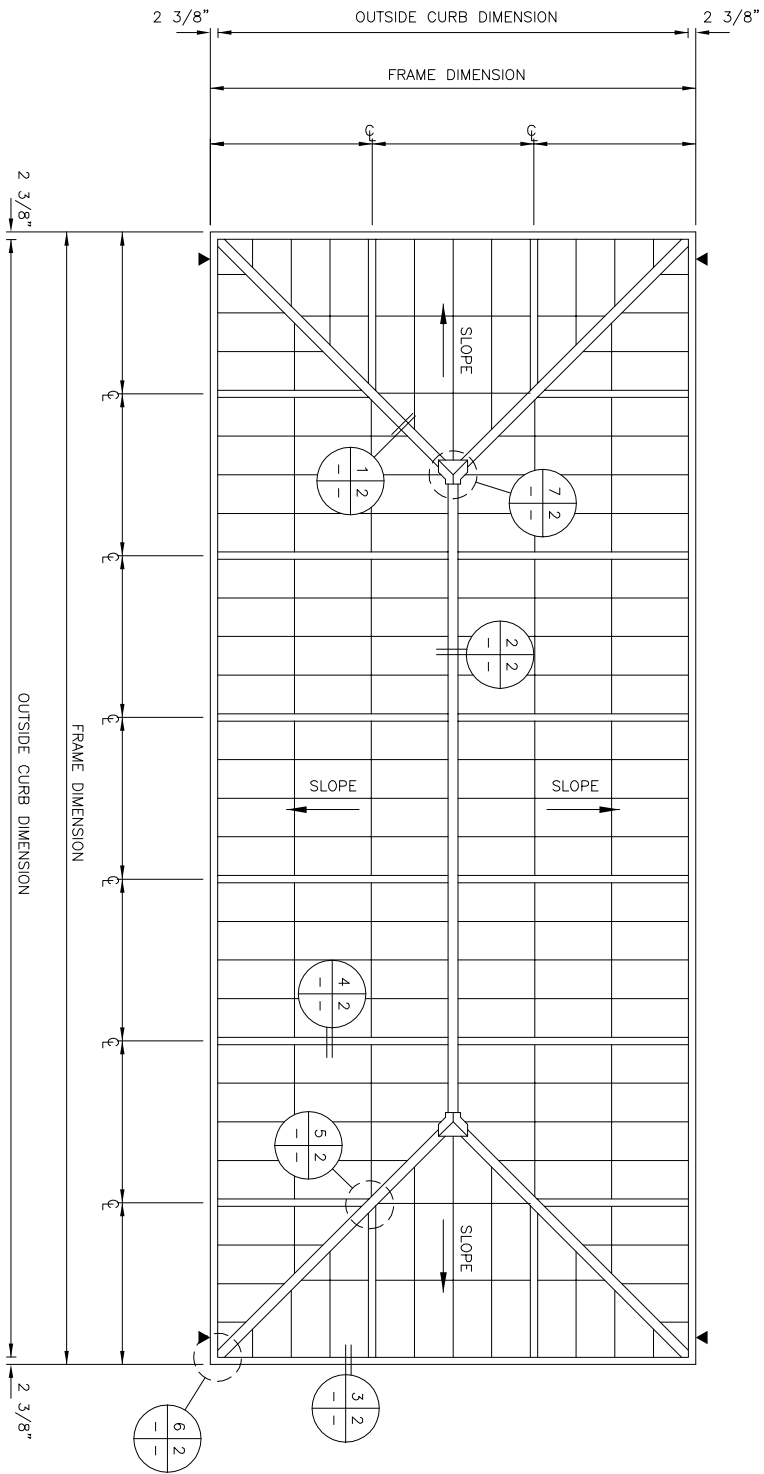




PLAN VIEW  
NOT TO SCALE

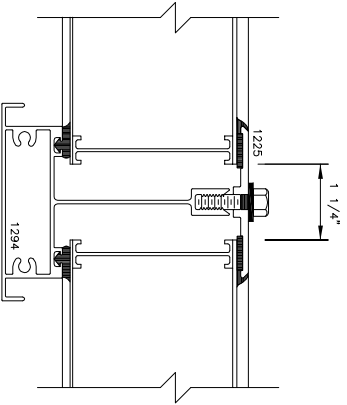


INDICATES 1/4" EXPANSION JOINT (TYP)

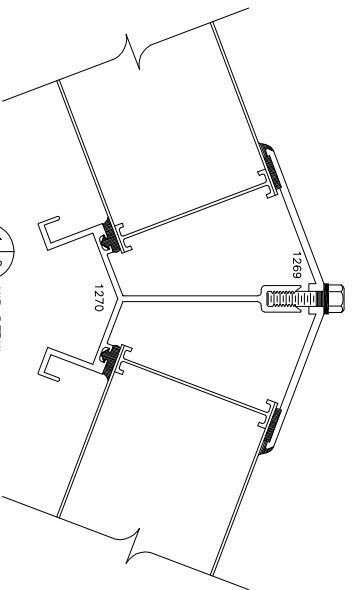
**MAJOR INDUSTRIES INC.**  
 7120 STEWART AVENUE  
 WAUSAU, WI 54401  
 P.O. BOX 306  
 WAUSAU, WI 54402-0306

PHONE (715) 842-4816  
 FAX (715) 848-3336

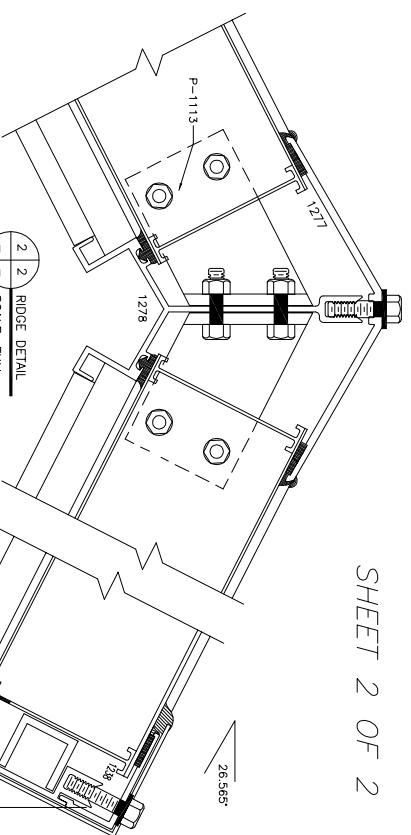
**GUARDIAN 275**®  
**HIP RIDGE SKYLIGHT**



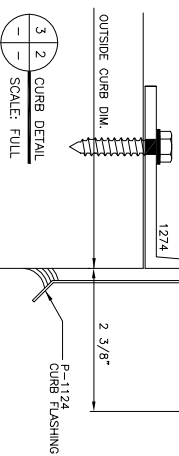
4 2 RAFTER DETAIL  
SCALE: FULL



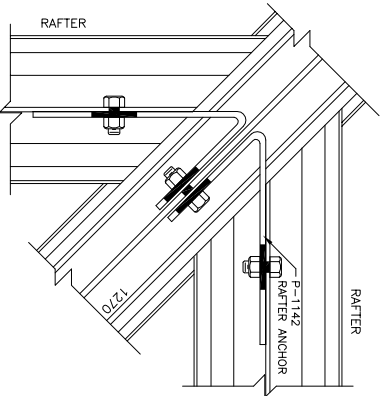
1 2 HIP DETAIL  
SCALE: FULL



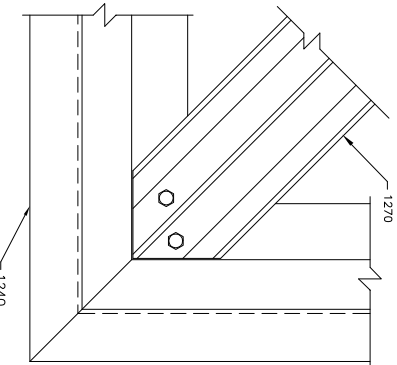
2 2 RIDGE DETAIL  
SCALE: FULL



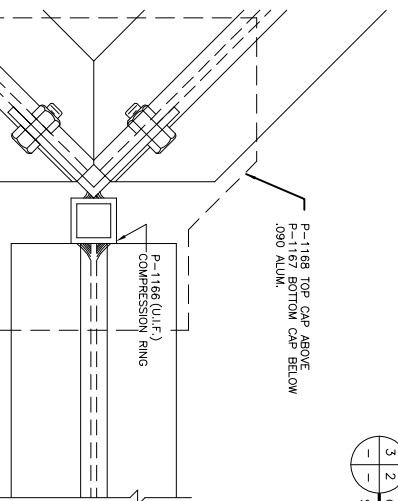
3 2 CURB DETAIL  
SCALE: FULL



5 2 JACK RAFTER CONNECTION  
SCALE: 3/4" = 1"



6 2 HIP CONNECTION DETAIL  
SCALE: 3/4" = 1"



7 2 SECTION @ COMPRESSION RING  
SCALE: FULL

**MAJOR INDUSTRIES INC.**  
7120 STEWART AVENUE  
WAUSAU, WI 54401  
P.O. BOX 306  
WAUSAU, WI 54402-0306

PHONE (715) 842-4816  
FAX (715) 848-3336

**MAJOR INDUSTRIES**  
**GUARDIAN 275** ®  
**HIP RIDGE SKYLIGHT**